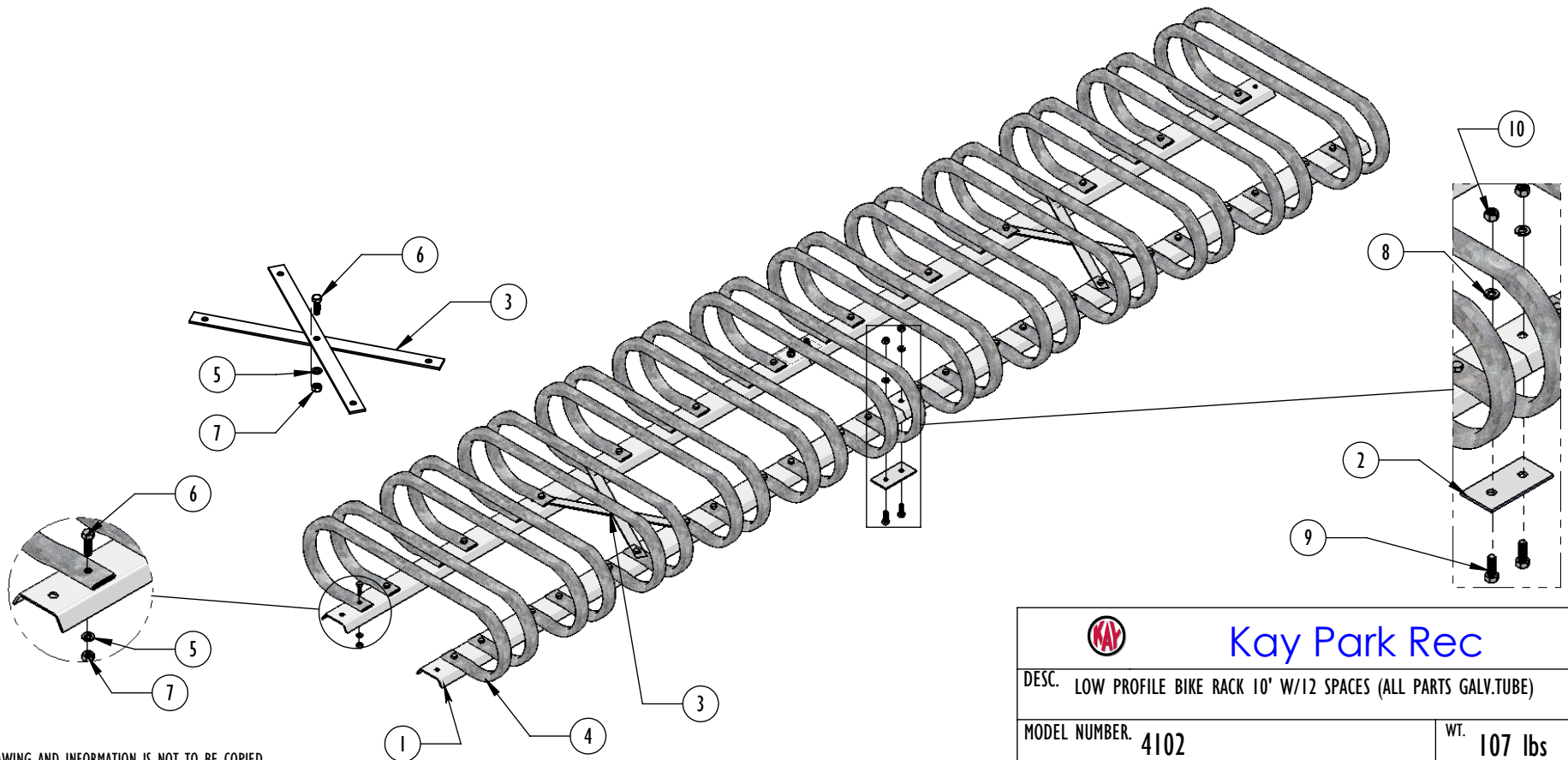



**CARE & MAINTENANCE
FOR KAY PARK, LOW PROFILE SERIES BICYCLE
RACKS**

Periodically (at least once a year) check to make sure all bolts and nuts are in place and tight. Replacement parts may be purchased by calling Kay Park-Rec Corp. at 1-800-553-2476.

ITEM NO.	PART NUMBER	Description (Spec)	QTY.
1	LPBR-299	LOW PROFILE BASE CHANNEL 60"	4
2	BR Low Profile Connector Plate	CONNECTOR PLATE	2
3	LPBR-200	X BRACE	4
4	LPBR-204	LOW PROFILE STANCHION TUBE	24
5	LOCKW-5/16	LOCK WASHER 5/16"	50
6	HEX-5/16x1	HEX BOLT 5/16" x 1"	50
7	NUT-5/16	NUT 5/16"	50
8	LOCKW-3/8	LOCK WASHER 3/8"	4
9	HEX-3/8x1	HEX BOLT 3/8" x 1"	4
10	NUT-3/8	NUT 3/8"	4



CONFIDENTIAL DRAWING AND INFORMATION IS NOT TO BE COPIED OR DISCLOSED TO OTHERS WITHOUT THE CONSENT OF KAY PARK. SPECIFICATIONS ARE SUBJECT TO CHANGE WITHOUT NOTICE.

		Kay Park Rec	
DESC. LOW PROFILE BIKE RACK 10' W/12 SPACES (ALL PARTS GALV.TUBE)			
MODEL NUMBER. 4102		WT. 107 lbs	
DRAWN BY PAVEL	DATE 1/25/2012	Sheet 1 of 3	SCALE NONE

IMPORTANT: LEAVE THE NUTS LOOSE UNTIL ALL ARE IN PLACE.

SEE ANCHOR KIT DETAIL PAGE IF YOU ARE USING THE ANCHOR KIT #4100

*1) Starting on either end, the FIRST hole is used only when joining 5' sections into longer racks. If you are doing so, bolt the CONNECTOR PLATE to the bottom of LOW PROFILE BASE CHANNEL 60" with HEX BOLT 3/8" x 3/4", LOCK WASHER 3/8" and NUT 3/8". Then connect the next LOW PROFILE BASE CHANNEL 60" to the end of the first one, using the CONNECTOR PLATE.

* 2) Starting with the second hole from either end, place a flattened LOW PROFILE STANCHION TUBE over the hole and insert a HEX BOLT 5/16" x 1" through the top of the tube down through the LOW PROFILE BASE CHANNEL 60", then place a LOCK WASHER 5/16" and NUT 5/16" on the bolt.

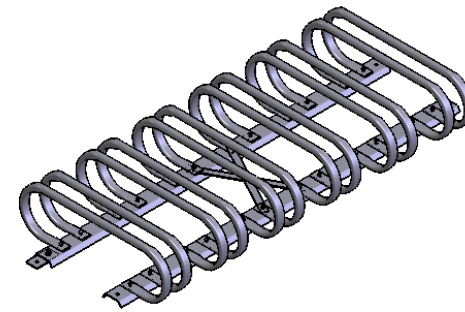
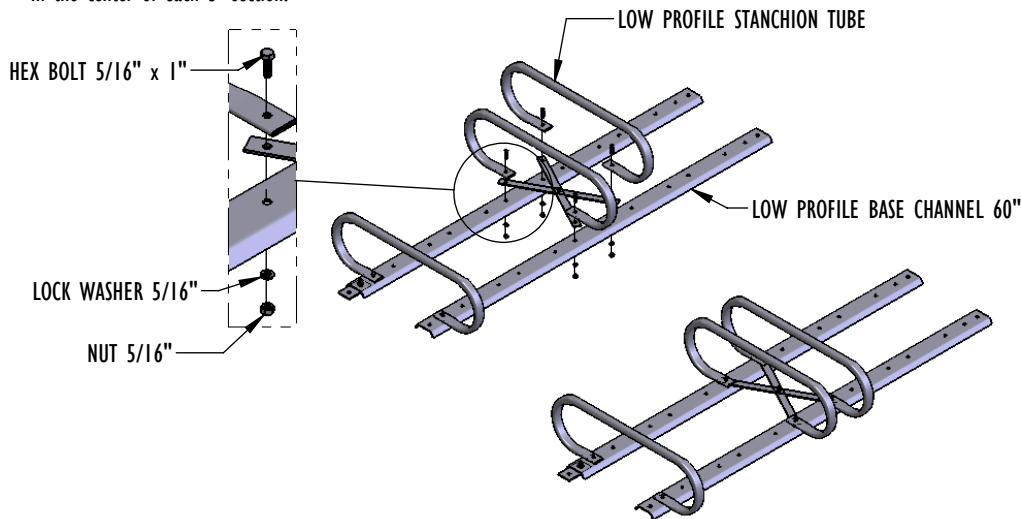
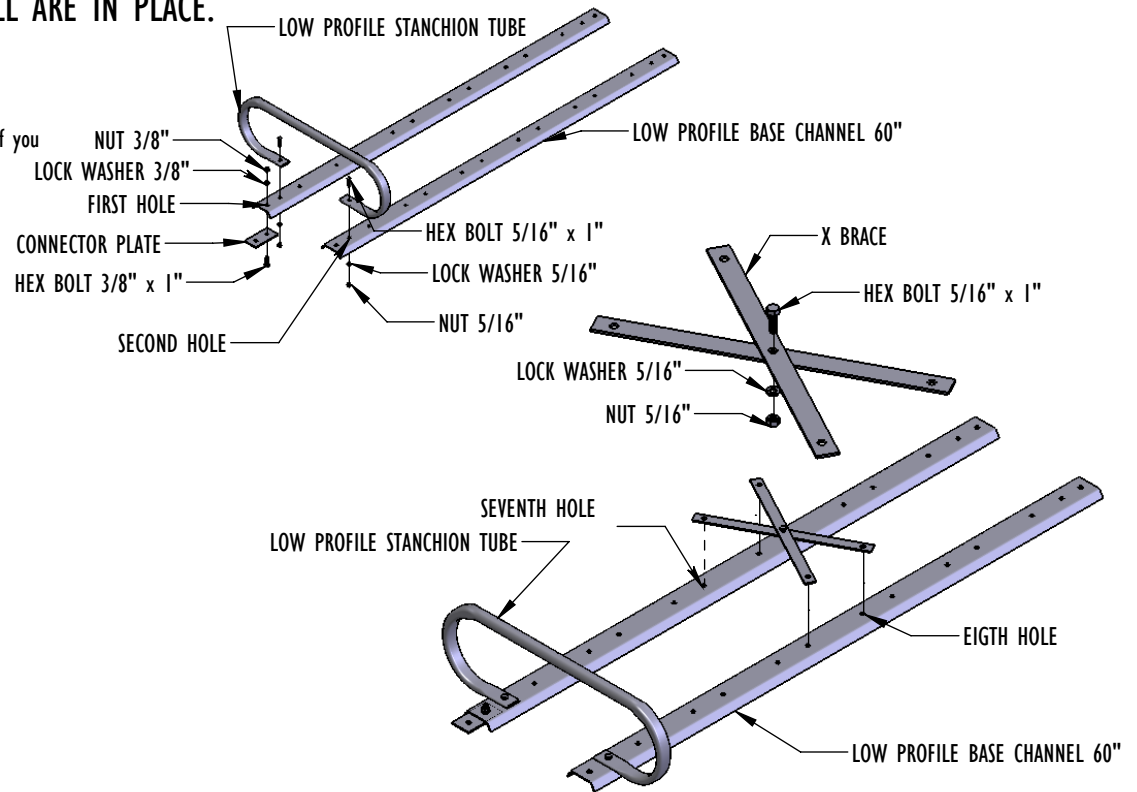
* 3) Place another LOW PROFILE BASE CHANNEL 60" under the other end of the flattened LOW PROFILE STANCHION TUBE and insert a HEX BOLT 5/16" x 1" through the LOW PROFILE STANCHION TUBE secure with a LOCK WASHER 5/16" and NUT 5/16".

* 4) On the 7th hole place a X BRACE on the LOW PROFILE BASE CHANNEL 60", then place another LOW PROFILE STANCHION TUBE. Insert the HEX BOLT 5/16" x 1" through assembly and secure it with a LOCK WASHER 5/16" and NUT 5/16".


* 5) The diagonal brace will go to 8th hole from the end on the other base, then place another LOW PROFILE STANCHION TUBE over the X BRACE and insert the HEX BOLT 5/16" x 1" through the assembly and secure it with a LOCK WASHER 5/16" and NUT 5/16" on the end.

** 6) Place all other low Profile Stanchion Tubes and X Braces on in the same manner. When all of the bolts are in place you can tighten all of them.

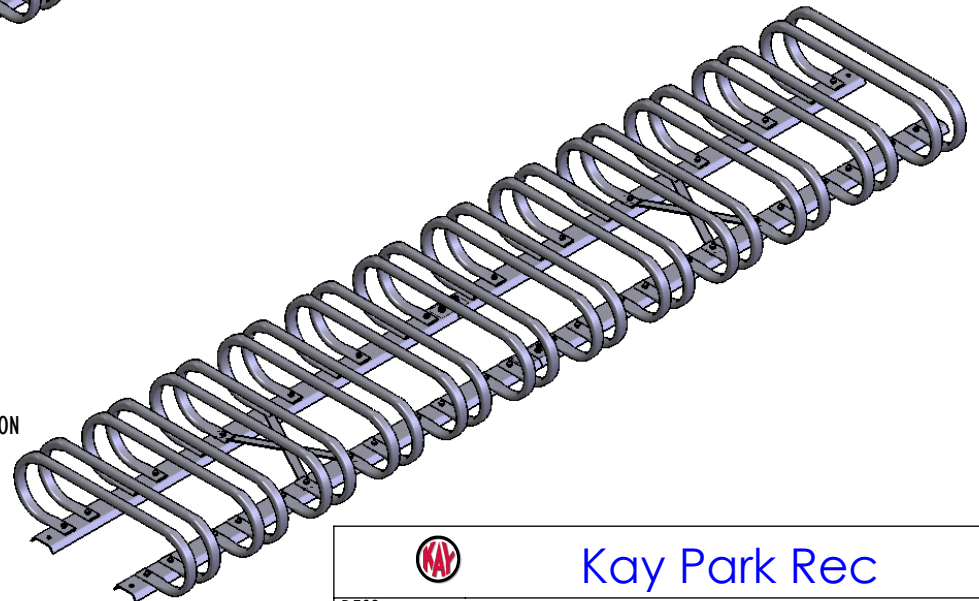
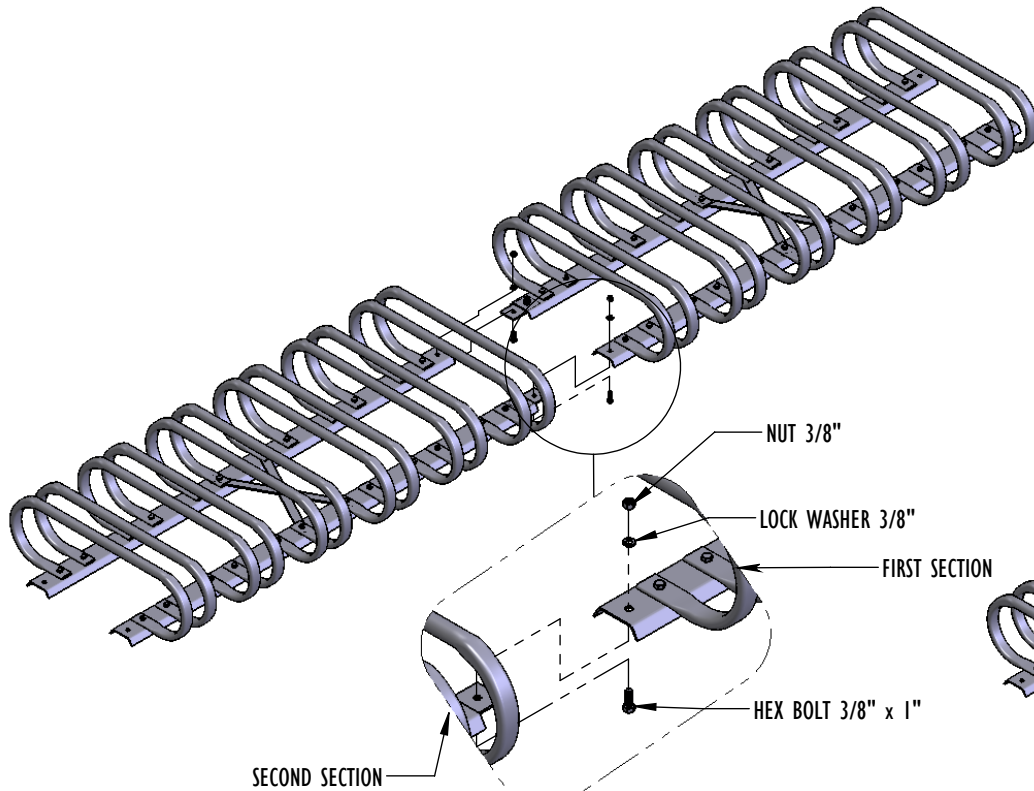
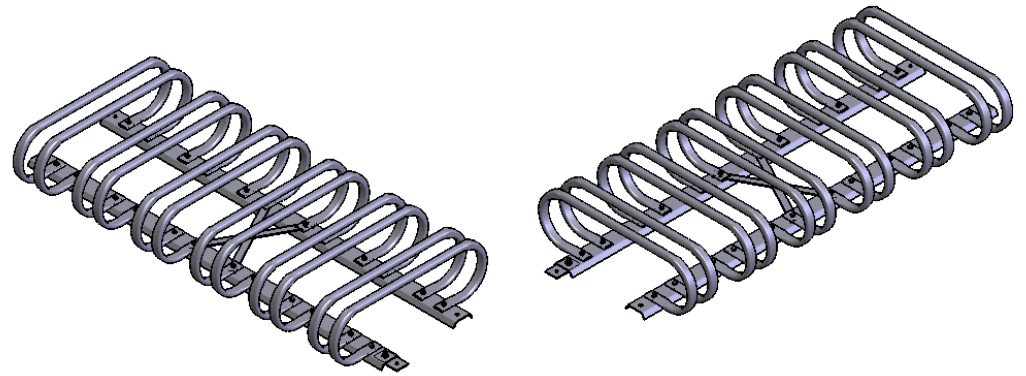
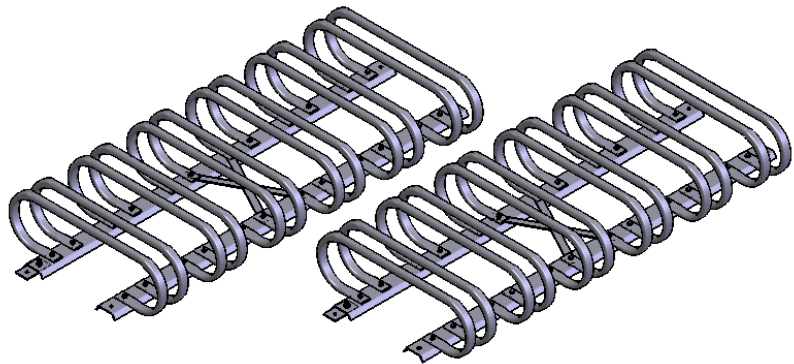
This is a 10' Low Profile Bicycle Rack then there will be two sets of X braces. One set placed in the center of each 5' section.



CONFIDENTIAL DRAWING AND INFORMATION IS NOT TO BE COPIED OR DISCLOSED TO OTHERS WITHOUT THE CONSENT OF KAY PARK. SPECIFICATIONS ARE SUBJECT TO CHANGE WITHOUT NOTICE.

		Kay Park Rec	
DESC. LOW PROFILE BIKE RACK 10' W/12 SPACES (ALL PARTS GALV.TUBE)			
MODEL NUMBER. 4102		WT. 107 lbs.	
DRAWN BY PAVEL	DATE 1/25/2012	Sheet 2 of 3	SCALE NONE

MAKE TWO SECTION THE SAME AS SHOWN, AND CONNECT THEM AS SHOWN.



NUT 3/8"
 LOCK WASHER 3/8"
 FIRST SECTION
 HEX BOLT 3/8" x 1"
 SECOND SECTION
 DETAIL F

CONFIDENTIAL DRAWING AND INFORMATION IS NOT TO BE COPIED OR DISCLOSED TO OTHERS WITHOUT THE CONSENT OF KAY PARK. SPECIFICATIONS ARE SUBJECT TO CHANGE WITHOUT NOTICE.



Kay Park Rec

DESC. LOW PROFILE BIKE RACK 10' W/12 SPACES (ALL PARTS GALV.TUBE)

MODEL NUMBER. 4102

WT. 107 lbs.

DRAWN BY PAVEL

DATE 1/25/2012

Sheet 3 of 3

SCALE NONE