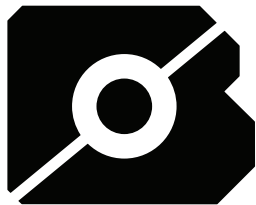


BRUNTON®

7088 Winchester Cir
Boulder, CO 80301
www.brunton.com

OmniSlope
BRUNTON®



Nous vous remercions de l'achat de votre inclinomètre Brunton OmniSlope. Intégrant plus de 100 ans d'expérience de l'instrument, l'inclinomètre est construit pour les professionnels les plus exigeants. S'il vous plaît comprendre l'utilisation de ce produit avant de s'en servir dans le domaine.

Regardez à travers la lentille et le point à votre cible. Look in the instrument with both eyes. Parce illusion d'optique, le guide peut être consulté sur l'objet. Voir la Figure 1. Concentrer l'objectif en tournant l'oculaire. Choisissez votre niveau désiré sur la base de la représentation de la figure 1.

- Éloignez-vous de l'objet à une distance facile à calculer.
- Maintenez l'inclinomètre verticalement près d'un oeil.
- Vue sur le haut de l'objet avec les deux yeux.
- Lire l'angle de la ligne d'index.
- Voir la figure 2 pour un exemple de la façon de mesurer un arbre

Gracias por la compra de su inclinómetro Brunton OmniSlope. La incorporación de más de 100 años de experiencia del instrumento, este inclinómetro se construye para los profesionales más exigentes. Por favor, comprenda el uso de este producto antes de confiar en ella en el campo.

Mira a través de la lente y apuntar a su objetivo. Mire a través del insturment con ambos ojos. Debido a la ilusión óptica, la guía se puede ver en el objeto. Véase la figura 1. Enfoque la lente girando el ocular. Elija su escala deseada basada en la ilustración de la figura 1.

- Párese lejos del objeto a una distancia calculada fácilmente.
- Sostenga el inclinómetro verticalmente cerca de un ojo.
- Mira a la parte superior del objeto con ambos ojos.
- Lea el ángulo en la línea de índice.

Thank you for purchasing your Brunton OmniSlope compass. Incorporating more than 100 years of excellence in instruments, this inclinometer is built for demanding outdoor professionals who cannot cut corners on accuracy and precision. Please fully understand the use of this product before relying on it in the field.

OWNER'S PURCHASE RECORD

Model _____

Date of Purchase _____

Dealer Purchased From _____

WARRANTY

Please register your OmniSlope by visiting www.brunton.com/register. Brunton has taken every effort to ensure years of trouble-free use from your new product. This product is guaranteed to be free of defect in material and workmanship for 12 months according to local regulatory requirements. This product is not subject to guarantee from third-parties and is subject to change. Brunton will repair or replace with a new equivalent, without charge for parts or labor, per Brunton's discretion. Brunton cannot be held responsible for accidents, damages or injury occasioned by the use of this product. Warranty will be rendered invalid if product is damaged by tampering, negligence, or misuse.

To obtain service, please contact BRUNTON for a return authorization (RA) number. Please be prepared to provide contact name, address and phone number, and a description of the problem.

BRUNTON
7088 Winchester Cir. Boulder CO 80301
307.857.4700
info@bruntongroup.com

BRUNTON®

SPECIFICATIONS

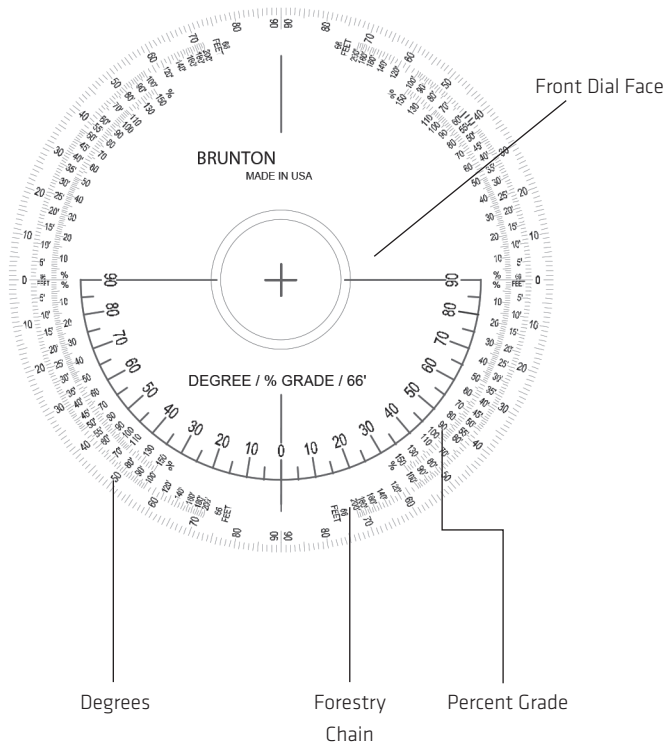
- Anodized aluminum housing with rubber bump cover and leather case.
- Aluminum card with 180° precision scales, forestry chain scales, and % grade scale
- 10x magnification adjustable lens.
- 1/2° accuracy

OmniSlope User Manual

- 1** OUR STORY
- 2** INSTRUCTIONS FOR USE
- 3** MEASURING HEIGHT
- 4** DIRECT READING OF ANGLE
- 5** SPECIFICATIONS
- 6** WARRANTY

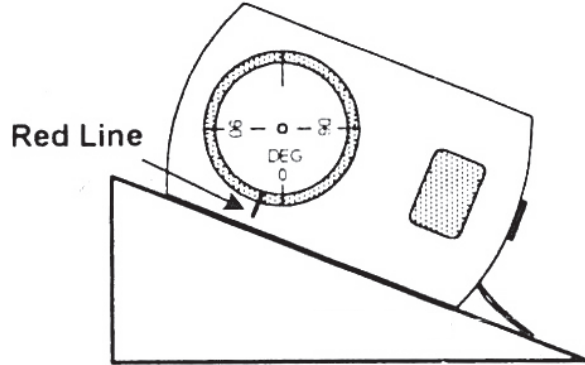
INDESTRUCTIBLE SINCE 1894

At Brunton, we come to work with a clear vision: remove any obstacles that stand between our customers and their passion to stay outdoors. It's been this way since 1894, when D.W. Brunton created the now legendary Pocket Transit a compact, precision compass that continues to give outdoorsman the confidence to push beyond the beaten path. Today, this spirit of indestructible innovation lives in the form of professional-grade solutions as tough and diverse as the rugged Rocky Mountains that we've called our laboratory for over 125 years. Our goal is to build products as tough as the people who get to use them and to allow these users to push themselves and our products to extend their adventure.



INSTRUCTIONS FOR USE

FIGURE 3

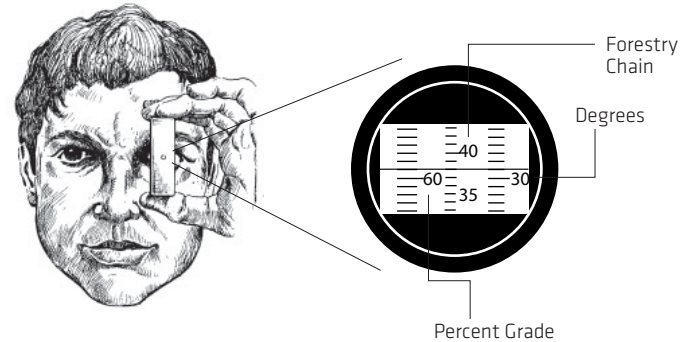


CAUTION

Some users who suffer from an eye condition called heterophoria (misalignment of the eye axis) may get incorrect bearing when reading the compass with both eyes. This can be checked as follows: take a bearing to an object with both eyes open. Then close the eye not sighting through the compass. If the bearing does not shift or change dramatically, there is no heterophoria and bearings can be taken with both eyes open.

View through the optical lens and aim at your target object. With both eyes open, the hairline can be seen to 'stand up' from the clinometers housing making it easy to accurately read the correct angle toward the object due to optical illusion. (see figure 1). You can focus the lens on your desired scale by turning the eyepiece. Choose between different scales based on the labels in figure 1.

FIGURE 1



MEASURING HEIGHT

1. Distance yourself from the object to be measured at a easily calculated space like 10 meters.
2. Hold OmniSlope vertically close to one of your eyes. Because of the optical illusion, the index line will appear to stand from the housing over the object.
3. Sight with both eyes to the top of the object. You can focus the lens on different scales by turning the eyepiece
4. Read the angle/height at the index line
5. Remember to add the angle/height below the horizontal line to the first reading in order to obtain correct height of the object. For example 15% (see figure 2).
6. In the example shown in figure 2, the correct height of the object would be $70\% + 15\% = 85\% \times 10 \text{ meters} = 8.5 \text{ meters}$ tall.
7. If you are standing below the object being measured, please refer to the right example in figure 2.
8. Please note that when using the 66 foot forestry chain scale, you can read out the correct height directly from the scale without calculations.

DIRECT READING OF ANGLE

The top scale of side window with lubber line can be used by placing the instruments long side along the inclined plane to be measured. Read the slope angle direct from the lubber line. Use this method when sighting measurements are impossible because of lack of space, although sighting measurements are always most accurate. (fig 3)

