

# MINI-STRIKER®

## SERIES



## MINI-STRIKER®

### LIGHTWEIGHT PRESSURE FIRE PUMP

The **WATERAX MINI-STRIKER®** pump pairs a reliable single stage pump end with the Honda 4-stroke 2.5 HP engine to achieve pressures of up to **85 PSI (5.9 BAR)** and offer volume supply of up to **80 GPM (303 L/Min)**. Extremely portable and lightweight, this mini powerhouse performs well when used by itself or in tandem with other pumps, and is a very popular choice for entry level slip-on applications. It is also particularly suited to some of the latest fire control techniques where small, lightweight equipment is a requirement. The widely-available Honda 4-stroke 2.5 HP engine makes for ease of operation and engine parts sourcing.

**Emissions compliant; engine is CARB and EPA certified**

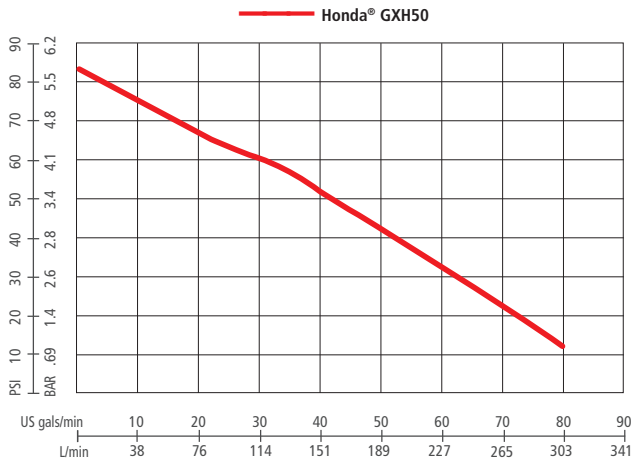
#### Applications

- Attack line firefighting
- Sprinkler operations
- Tandem pumping over long distances
- Entry level slip-on units

#### Features and Benefits

- Lightweight aluminium alloy pump components
- Portable and compact
- Comprehensive user and service manuals

### SPECIFICATIONS



### Flow rate at specified pressure

Maximum Pressure: 85 PSI (5.9 bar)  
 Free flow: 80 US gals/min (303 L/min)  
 Maximum Head: 196' (60 m)

Flow Rate		Pressure		
US GPM	(LPM)	@	PSI	(BAR)
68	(257)	@	25	(1.7)
42	(159)	@	50	(3.4)
12	(45)	@	75	(5.2)

Engine: Honda® GXH50

### Engine Specifications

<b>Model &amp; Type</b>	Honda, GXH50 Series 4-stroke, horizontal shaft, single cylinder, OHV
<b>Net Power Output</b>	2.1 HP (1.6 kW) @ 7000 RPM
<b>Net Torque</b>	2.0 lb-ft (2.7 Nm) @ 4500 RPM
<b>Bore &amp; Stroke</b>	1.65 x 1.42 inches (41.8 x 36 mm)
<b>Displacement</b>	3.01 cubic inches (49.4 cc)
<b>Starting System</b>	Recoil
<b>Ignition</b>	Transistorized Magneto
<b>Governor</b>	Centrifugal Mechanical
<b>Air Cleaner</b>	Semi-dry
<b>Cooling</b>	Air Cooled
<b>Lubrication</b>	Forced Splash
<b>Oil Capacity</b>	0.26 quarts (0.25 liters)
<b>Carburetor</b>	Float Type
<b>Emissions</b>	Meets current CARB, EPA, and CE requirements.
<b>Exhaust</b>	US Forestry Service Approved Spark Arrestor
<b>Fuel Type</b>	Gasoline [unleaded, 86 minimum octane or higher, 10% maximum ethanol]
<b>Fuel Tank:</b>	Integral 0.81 quarts (0.77 liters)
<b>Fuel Consumption</b>	0.17 US gal/hr (0.65 L/hr)

### Unit Base Specifications

#### MSTR-P:

Black flat polyethylene base with four rubber pads. Unit also provided with a single black composite carry handle mounted on the top for transporting.

### Pump Specifications

<b>Type</b>	Single Stage Centrifugal; Direct Drive
<b>Description</b>	Low Pressure, Low Flow, Foam Compatible
<b>Maximum Allowable Pressure</b>	200 PSI (13.8 bar)
<b>Maximum Pressure</b>	85 PSI (5.9 bar)
<b>Maximum Flow</b>	80 GPM (303 lpm)
<b>Intake</b>	1-1/2" Male NPSH Thread. Protected by Rubber Cap with Retainer (MSTR-P only)
<b>Discharge</b>	1-1/2" Male NPSH Thread. Protected by Rubber Cap with Retainer (MSTR-P only)
<b>Body &amp; Diffusers</b>	Anodized corrosive resistant aluminum
<b>Impellers</b>	Anodized corrosive resistant aluminum
<b>Pump Shaft</b>	Stainless Steel
<b>Pump Seal</b>	Heat Resistant Rotary Mechanical Seal – Maintenance Free
<b>Color</b>	Red

### Controls

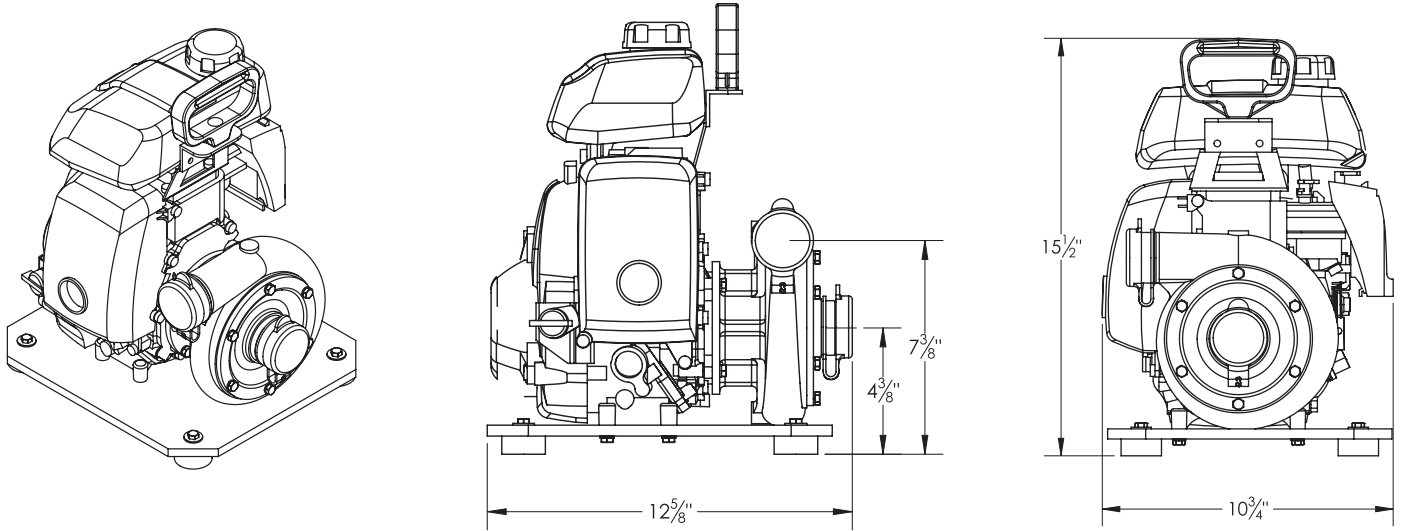
Engine choke, shut-off, throttle, and fuel valve control levers with low oil pressure shutdown.

#### MSTR-V:

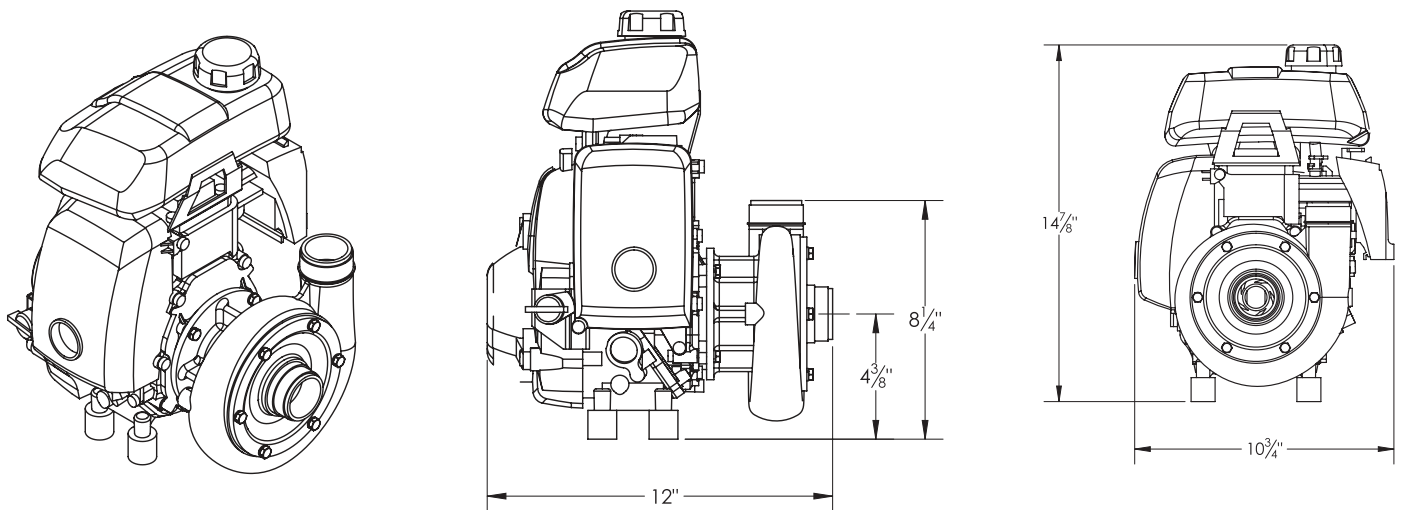
Four industrial isolators mounted directly to the engine base with M6 x 1.0 female thread.

## TECHNICAL DRAWINGS

**MSTR-P** Length 12-5/8" (32 cm) Width 10-3/4" (27.3 cm) Height 15-1/2" (39.3 cm) Weight 20 lbs (9 kg)



**MSTR-V** Length 12" (30.4 cm) Width 10-3/4" (27.3 cm) Height 14-7/8" (37.7 cm) Weight 19 lbs (8.6 kg)





**WATERAX Inc.**  
6635 Henri-Bourassa W.  
Montreal, QC H4R 1E1

**TF 855-616-1818**

**T** 514-637-1818

**F** 514-637-3985

info@waterax.com  
www.waterax.com

Distributed by:

All information contained in this document including drawings is proprietary to *WATERAX* and may not be copied, reproduced or used in whole or in part without our prior written permission. The information in this document is subject to change without notice. Model displayed with multiple options. Weight and dimensions are approximated and may vary depending on options.